

6'8 'TRUE COMMERCIAL' HEIGHT	AMWELD/STEELCRAFT/ REPUBLIC	TIMELY/REDIFRAME - REVERSIBLE (AKA. TIMELY '40')	TIMELY - HANDED (AKA. TIMELY '42')
OAL HEIGHT	79-1/16"	79-1/16"	79-1/16"
OAL WIDTH	35-21/32"	35-11/16"	35-11/16"
ALTERNATE WIDTH	N/A	35-21/32"	35-21/32"
TOP HINGE	9-5/8"	10-1/2"	10-1/2"
HINGE CENTERS	29-15/16"	29-1/2"	29-1/2"
4" AD	N/A	N/A	N/A
4" FH	N/A	N/A	N/A
4" TF	N/A	N/A	N/A
4-1/2" TA	X	X	X
TOP LOCK CENTER	39-9/16"	40"	42"
6'8 TAYLOR COMMERCIAL HEIGHT	AMWELD/STEELCRAFT/ REPUBLIC	TIMELY/REDIFRAME - REVERSIBLE (AKA. TIMELY '40')	TIMELY - HANDED (AKA. TIMELY '42')
OAL HEIGHT	78-15/16"	78-15/16"	78-15/16"
OAL WIDTH	35-21/32"	35-11/16"	35-11/16"
ALTERNATE WIDTH	N/A	35-21/32"	35-21/32"
TOP HINGE	9-5/8"	10-1/2"	10-1/2"
HINGE CENTERS	29-15/16"	29-1/2"	29-1/2"
4" AD	N/A	N/A	N/A
4" FH	N/A	N/A	N/A
4" TF	N/A	N/A	N/A
4-1/2" TA	X	X	X
TOP LOCK CENTER	39-9/16"	40"	42"

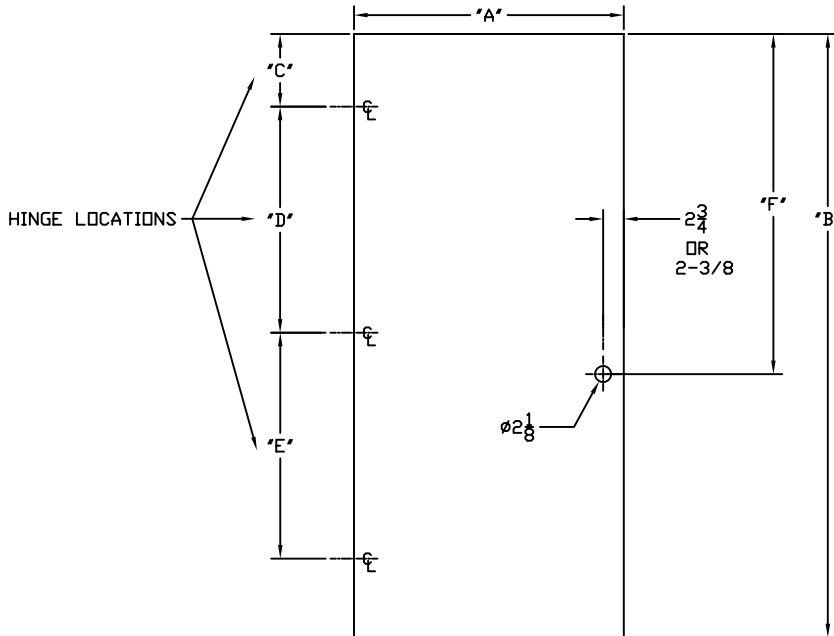
7'0 TAYLOR COMMERCIAL	AMWELD / STEELCRAFT	REPUBLIC	REDIFRAME/TIMELY - REVERSIBLE (AKA. TIMELY '42')	REDIFRAME/TIMELY - HANDED (AKA. TIMELY '44')
OAL HEIGHT	82-15/16"	82-15/16"	82-15/16"	82-15/16"
OAL WIDTH	35-21/32"	35-21/32"	35-11/16"	35-11/16"
ALTERNATE WIDTH	N/A	N/A	35-21/32"	35-21/32"
TOP HINGE	9-5/8"	11-5/8"	10-1/2"	10-1/2"
HINGE CENTERS	31-15/16"	29-15/16"	31-1/2"	31-1/2"
4" AD	N/A	N/A	N/A	N/A
4" FH	N/A	N/A	N/A	N/A
4" TF	N/A	N/A	N/A	N/A
4-1/2" TA	X	X	X	X
TOP LOCK CENTER	43-9/16"	43-9/16"	42"	44"

BILLING ADDRESS		SHIPPING ADDRESS		P.O. #
NAME:		NAME:		DATE:
COMPANY:		COMPANY:		JOB:
ADDRESS:		ADDRESS:		RSM:
CITY:		CITY:		
PHONE:		PHONE:		
FAX:		FAX:		

TAYLOR BUILDING PRODUCTS
 631 NORTH FIRST STREET
 WEST BRANCH, MI 48661
 1-989-345-5110
 TOLL FREE 800-248-3600
 TOLL FREE FAX 800-252-5468

NOMINAL ACTUAL

DOOR #	HINGE PATTERN	RETAINER	GAUGE-STEEL	DOOR WIDTH	DOOR HEIGHT	WIDTH "A"	HEIGHT "B"	HINGE "C"	2ND HINGE "D"	3RD HINGE "E"	4TH
EX:	TA,TF F OR A	YES	22 VERTICAL GRAIN, 22 SMOOTH,ARCHITECT OR 22 STAINABLE 24 SMOOTH ,OR VG WHITE	3'0"	6'8"	35-3/4"	78-15/16"	9-5/8"	29-15/16"	29-15/16"	
1											
2											
3											
4											
5											



NOTE: REFER TO
 TECHNICAL RESOURCE GUIDE
 FOR LOCK PREP AND OTHER
 CODING

DOOR #	LOCK "F"	LOCK PREP	DOOR STYLE	CLOSER PREP	PANIC PREP	HEAD & FOOT PREP	CUTOUT	PEEP	FIRE LABEL	QTY	NET PRICE	TOTAL PRICE
EX:	45-1/8"	R58	6P	YES	YES		LT38	P9	20 MIN METAL (2TN) 20 MIN MYLAR (2YN) 90 MIN METAL (9TN) 90 MIN MYLAR (9YN)			
1												
2												
3												
4												
5												

NOTE: THIS PRICING IS VOID AFTER 30 DAYS

SUB TOTAL	
FREIGHT EST.	



TAYLOR BUILDING PRODUCTS
 NON-TAYLOR SPEC FORM



SIGNATURE _____

DWG#	IX-1
DATE	4-08-05
NAME	MJP
SECTION	IX
PAGE	1

AVAILABLE DIMENSIONS FOR COMMERCIAL DOORS

CRITICAL DIMENSIONS

+0.03 -0.03 (+1/32 -1/32)

TRUE COMMERCIAL SPEC
(AMWELD/STEELCRAFT/REPUBLIC SPECIFICATION)

DOOR WIDTH	A	DOOR HEIGHT	B	C	D	E	F
3'0"	35.66	6'8"	79.06	9.63	29.94	29.94	39.56
		7'0"	N/A	N/A	N/A	N/A	N/A

TRUE COMMERCIAL SPEC
(AMWELD/STEELCRAFT/REPUBLIC SPECIFICATION ALTERNATE WIDTH)

DOOR WIDTH	A	DOOR HEIGHT	B	C	D	E	F
3'0"	N/A	6'8"	N/A	N/A	N/A	N/A	N/A
		7'0"	N/A	N/A	N/A <td N/A	N/A	

TAYLOR COMMERCIAL
(TAYLOR DOOR HEIGHT W/AMWELD/STEELCRAFT/REPUBLIC HINGE & LOCK LOCATION)
(ALTERNATE WIDTH)

DOOR WIDTH	A	DOOR HEIGHT	B	C	D	E	F
3'0"	35.66	6'8"	78.94	9.63	29.94	29.94	39.56
		7'0"	N/A	N/A	N/A	N/A	N/A

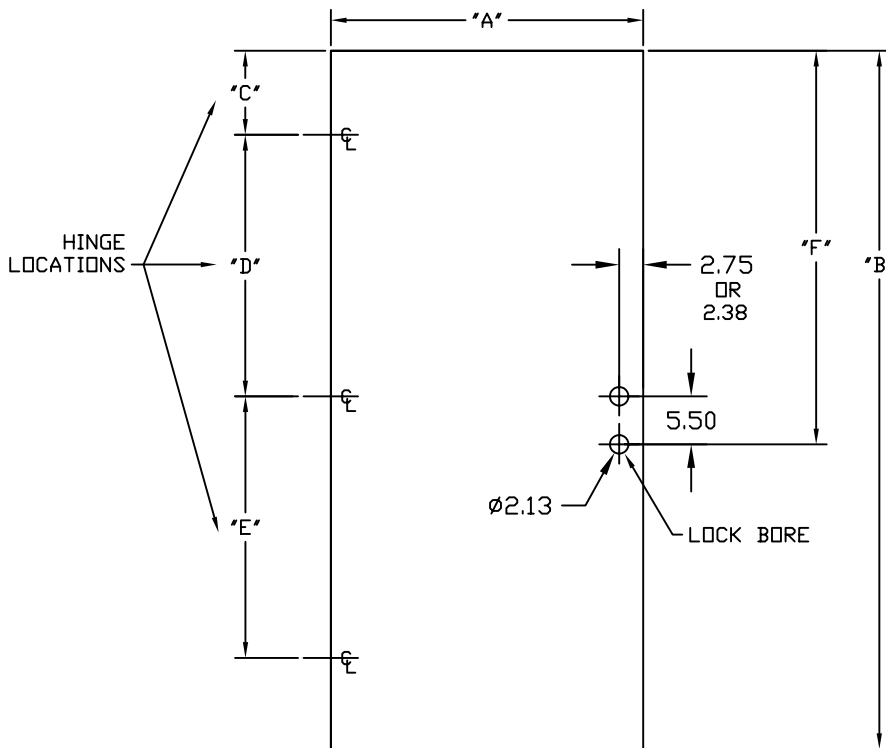
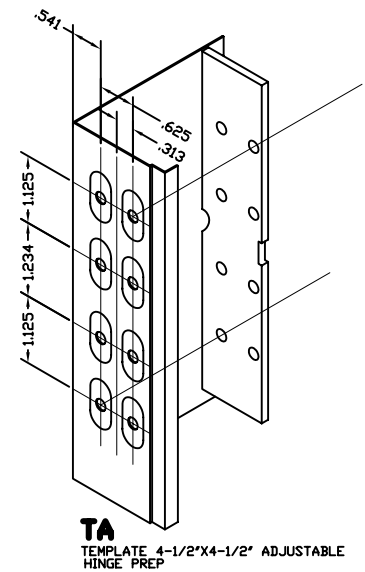
TAYLOR COMMERCIAL
(TAYLOR DOOR HEIGHT W/AMWELD/STEELCRAFT HINGE & LOCK LOCATION)
(ALTERNATE WIDTH)

DOOR WIDTH	A	DOOR HEIGHT	B	C	D	E	F
3'0"	35.66	6'8"	N/A	N/A	N/A	N/A	N/A
		7'0"	82.94	9.63	31.94	31.94	43.56

TAYLOR COMMERCIAL
(TAYLOR DOOR HEIGHT W/ REPUBLIC HINGE & LOCK LOCATION)
(ALTERNATE WIDTH)

DOOR WIDTH	A	DOOR HEIGHT	B	C	D	E	F
3'0"	35.66	6'8"	N/A	N/A	N/A	N/A	N/A
		7'0"	82.94	11.63	29.94	29.94	43.56

AVAILABLE HINGE PREPS



AMWELD/STEELCRAFT/REPUBLIC
COMMERCIAL ENTRY DOOR
STANDARD DIMENSIONS

DWG#	IX-14
DATE	2-08-05
NAME	MJP
SECTION	IX
PAGE	14

AVAILABLE DIMENSIONS FOR COMMERCIAL DOORS

CRITICAL DIMENSIONS	+0.03 -0.03 (+1/32 -1/32)
---------------------	---------------------------

TRUE COMMERCIAL SPEC
(REDIFRAME REVERSIBLE/TIMELY SPECIFICATION)

DOOR WIDTH	A	DOOR HEIGHT	B	C	D	E	F
3'0"	35.69	6'8"	79.06	10.50	29.50	29.50	40.00
		7'0"	N/A	N/A	N/A	N/A	N/A

TRUE COMMERCIAL SPEC
(REDIFRAME REVERSIBLE/TIMELY SPECIFICATION ALTERNATE WIDTH)

DOOR WIDTH	A	DOOR HEIGHT	B	C	D	E	F
3'0"	35.66	6'8"	79.06	10.50	29.50	29.50	40.00
		7'0"	N/A	N/A	N/A	N/A	N/A

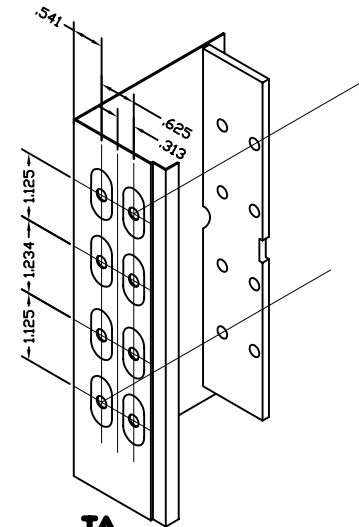
TAYLOR COMMERCIAL
(TAYLOR DOOR HEIGHT W/REDIFRAME REVERSIBLE/TIMELY HINGE & LOCK LOCATION)
(ALTERNATE WIDTH)

DOOR WIDTH	A	DOOR HEIGHT	B	C	D	E	F
3'0"	35.69	6'8"	78.94	10.50	29.50	29.50	40.00
		7'0"	82.94	10.50	31.50	31.50	42.00

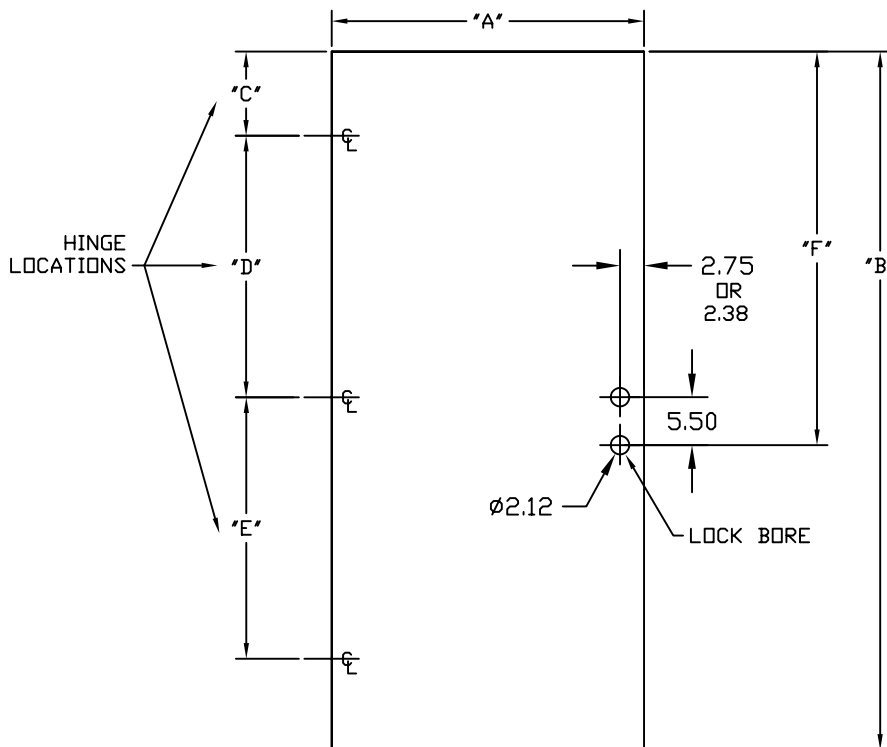
TAYLOR COMMERCIAL
(TAYLOR DOOR HEIGHT W/REDIFRAME REVERSIBLE/TIMELY HINGE & LOCK LOCATION)
(ALTERNATE WIDTH)

DOOR WIDTH	A	DOOR HEIGHT	B	C	D	E	F
3'0"	35.66	6'8"	78.94	10.50	29.50	29.50	40.00
		7'0"	82.94	10.50	31.50	31.50	42.00

AVAILABLE HINGE PREPS



TA
TEMPLATE 4-1/2"x4-1/2" ADJUSTABLE HINGE PREP



TIMELY/REDIFRAME REVERSIBLE
(6'8"=TIMELY 40' & 7'0"=TIMELY 42')
COMMERCIAL ENTRY DOOR
STANDARD DIMENSIONS



DWG#	IX-15
DATE	2-08-05
NAME	MJP
SECTION	IX
PAGE	15

AVAILABLE DIMENSIONS FOR COMMERCIAL DOORS

CRITICAL DIMENSIONS	+.03 -.03 (+1/32 -1/32)
---------------------	-------------------------

TRUE COMMERCIAL SPEC
(TIMELY HANDED SPECIFICATION)

DOOR WIDTH	A	DOOR HEIGHT	B	C	D	E	F
3'0"	35.69	6'8"	79.06	10.50	29.50	29.50	42.00
		7'0"	N/A	N/A	N/A	N/A	N/A

TRUE COMMERCIAL SPEC
(TIMELY HANDED SPECIFICATION ALTERNATE WIDTH)

DOOR WIDTH	A	DOOR HEIGHT	B	C	D	E	F
3'0"	35.66	6'8"	79.06	10.50	29.50	29.50	42.00
		7'0"	N/A	N/A	N/A	N/A	N/A

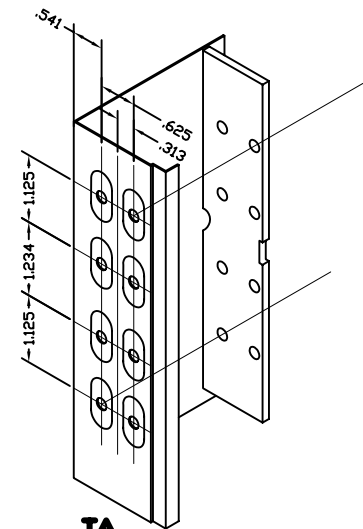
TAYLOR COMMERCIAL
(TAYLOR DOOR HEIGHT W/TIMELY HANDED HINGE & LOCK LOCATION)
(ALTERNATE WIDTH)

DOOR WIDTH	A	DOOR HEIGHT	B	C	D	E	F
3'0"	35.69	6'8"	78.94	10.50	29.50	29.50	42.00
		7'0"	82.94	10.50	31.50	31.50	44.00

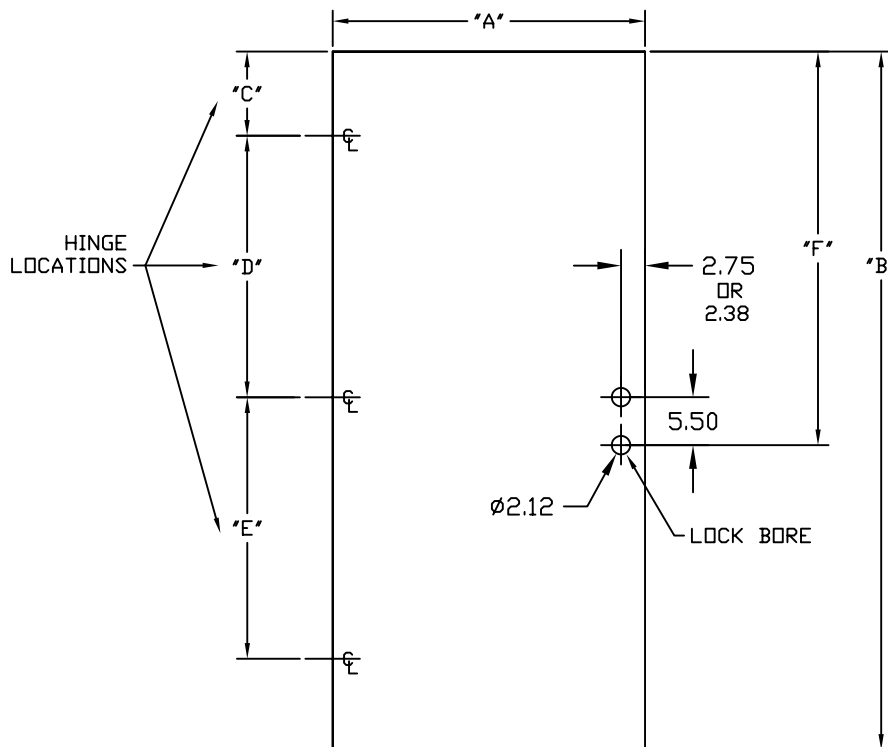
TAYLOR COMMERCIAL
(TAYLOR DOOR HEIGHT W/TIMELY HANDED HINGE & LOCK LOCATION)
(ALTERNATE WIDTH)

DOOR WIDTH	A	DOOR HEIGHT	B	C	D	E	F
3'0"	35.66	6'8"	78.94	10.50	29.50	29.50	42.00
		7'0"	82.94	10.50	31.50	31.50	44.00

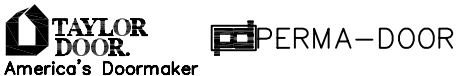
AVAILABLE HINGE PREPS



TA
TEMPLATE 4-1/2"x4-1/2" ADJUSTABLE
HINGE PREP



TIMELY/HANDED
(6'8"=TIMELY 42' & 7'0"=TIMELY 44')
COMMERCIAL ENTRY DOOR
STANDARD DIMENSIONS



DWG#	IX-16
DATE	2-08-05
NAME	MJP
SECTION	IX
PAGE	16